

K.HARTWALL

Logistics Efficiency through Innovation



A-MATE®

AutoMate your load
carrier movements



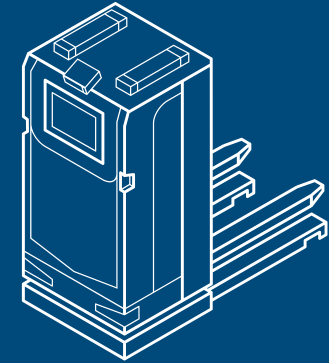
A-MATE®

A-MATE® are intelligent mobile robots designed to transport logistic units such as pallets and containers in production and logistics environments like warehouses and sorting centers, without the need for an on board operator or driver.

The unique benefits of our Automated Guided Vehicles (AGVs) include a compact design and advanced driving system to enable agile movements in tight spaces. Equipped with a powerful electric free lift*, our AGVs can pick up and drop off loads both from the floor as well as from shelves and conveyors. A 360 degree scanner coverage ensures maximum safety.

* no scissors below the forks





WELCOME TO THE FAMILY

- Compact design
- Electric free lift
- 360° safety
- Contour-based LiDAR navigation
- Long lasting Li-Ion batteries
- Pallet detection
- Obstacle detection & avoidance

AVAILABLE MODELS

A-MATE® FreeLift | A-MATE® Counter

WHAT YOU CAN ACHIEVE WITH A-MATE®



Reduce your handling costs



Improve the efficiency of
your internal logistics



Improve ergonomics and
Health & Safety



Decrease your dependency
on skilled labor



Transition to partial or
fully automated operations





The **implementation of AGVs** in your operation increases the digitalization of your workflows and transparency of your processes.

This increases the flexibility and competitiveness of your production environment.

- Increase scalability
- Facilitate rapid process modifications
- Utilize existing capacities and resources
- Track your loads and load carriers systematically
- Minimize disruptions

**SHAPE THE FUTURE WITH AGVs
AND GAIN A COMPETITIVE EDGE**

FREE LIFT



A-MATE® is a great solution for multiple use cases as it can both handle loads on the floor as well as deliver to or pick up from conveyor belts and shelves.

COMPACT DESIGN



The advanced driving system combined with a compact design enables A-MATE® to move very efficiently in narrow and tight environments.



VERSATILITY



A-MATE® transports various types of load carriers, for example pallets, foldable cages, roll cages and dollies, in different sizes, empty or full.

This makes our AGVs a universal solution for a wide range of intralogistic process flows in manufacturing, warehousing and sorting operations for various industries.

They are designed to operate in demanding industrial environments with heavy traffic and rough conditions.



RELIABILITY

A-MATE® works reliably in a constantly changing environment, stand-alone or connected to customer WMS / MES



Precise Positioning and Navigation

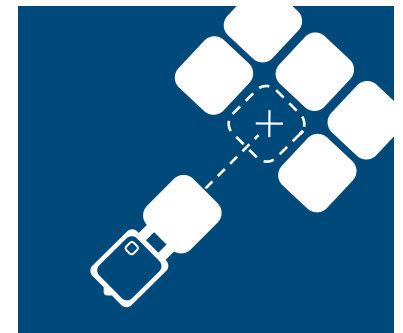
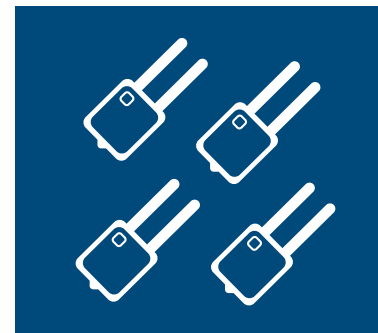
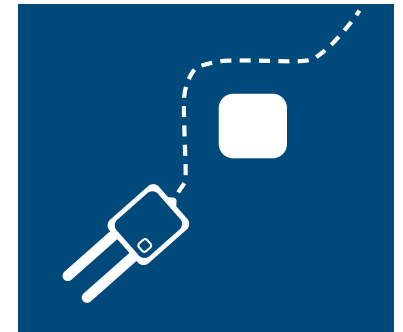
- Contour-based LiDAR navigation
- Full dynamic mapping option
- Pallet detection
- Obstacle detection and obstacle avoidance

Fleet-Supervision

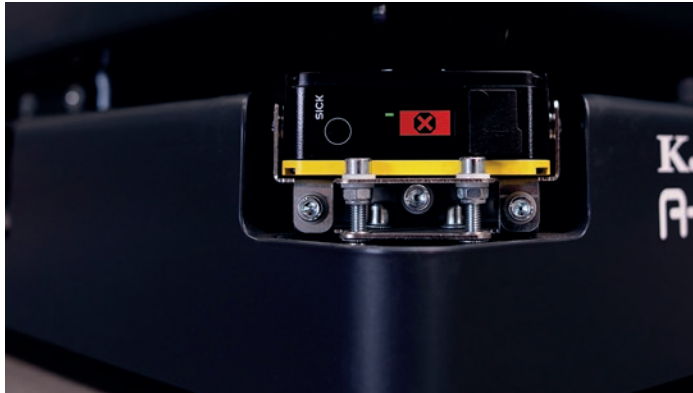
- Web based user interface
- WMS / MES connectivity
- Route planning / shortest routes / congestion management
- Arrival time forecast / priorities / statistics

VDA 5050

A-MATE® can be equipped with a VDA 5050 interface.



SAFE INTERACTION WITH HUMANS



MULTIPLE SCANNERS

to make the A-MATE® a 360° safe mobile robot



CLEAR LIGHT INDICATORS

to signal the operating status



EMERGENCY STOP BUTTONS

visible and accessible at any moment



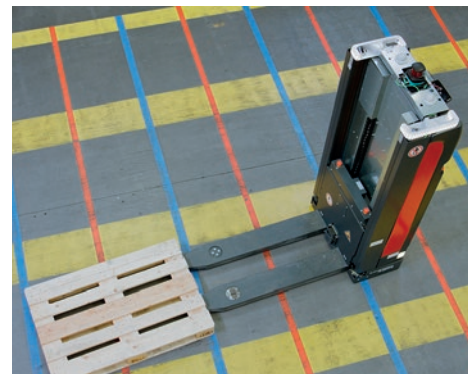
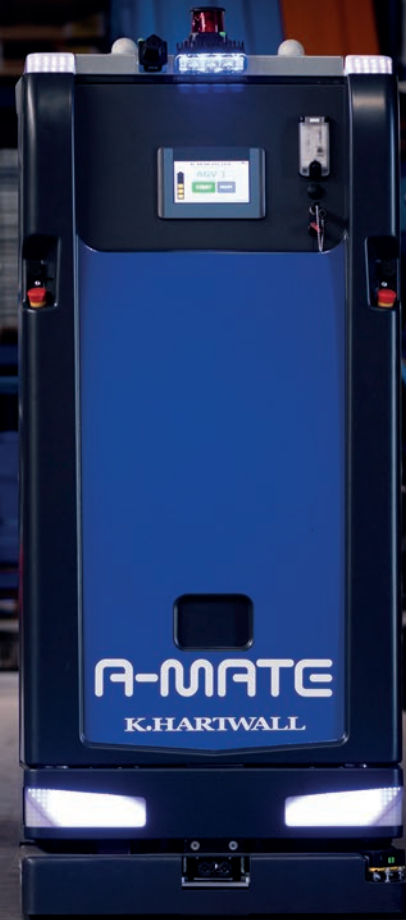
INTERACTIVE DISPLAY

easy to access and easy to handle

THE SMART CHOICE FOR YOUR APPLICATION

The compact design, electric free lift, advanced driving system and state-of-the-art software features pave the way for various application scenarios across all industries.

A-MATE® ensures efficient and safe load carrier handling on the floor, from racks, conveyors, machines, in buffer lanes and many more.



Receiving dock



Storage



Picking
Sorting
Assembly



Dispatch area



SUCCESSFUL CUSTOMER PROJECTS



DANFOSS GRÅSTEN, DENMARK

- Four A-MATE® FreeLift
- Automated transport of full units from a buffer lane to various drop-off-locations
- Safe interaction with other AGVs, manually driven forklifts and human workers.



Watch video



SCHAEFFLER BUEHL, GERMANY

- Six A-MATE® FreeLift
- Automated transport of full and empty units between machines and shipping area
- Navigation in narrow aisles
- Floor-to-floor and conveyor handling
- Interaction between internal Schaeffler software and external fleet management



Watch video

VISIT [K-HARTWALL.COM](https://www.k-hartwall.com) FOR MORE CUSTOMER STORIES

A-MATE
K.HARTWALL

A-MATE
K.HARTWALL

K.HARTWALL
A-MATE

WE ARE ALSO USING A-MATE®



BOSCH

SULZER



ebmpapst

EXPERIENCE. KNOWLEDGE. RELIABILITY.



We at K.Hartwall strive to create future-fit logistics solutions that answer the needs of our customers and bolsters their industry development. We know what it takes to make robust, industrial-grade AGVs for the most demanding environments.

65
COUNTRIES

We serve you
globally in
65 countries

1500
CUSTOMERS

We serve more
than 1500 satisfied
customers

90
YEARS

Over ninety years
of design and
innovation

K.Hartwall Oy Ab

Kay Hartwallin tie 2
01150 Söderkulla, Finland
Tel. +358 9 413 1833
contact-khw@k-hartwall.com
www.k-hartwall.com



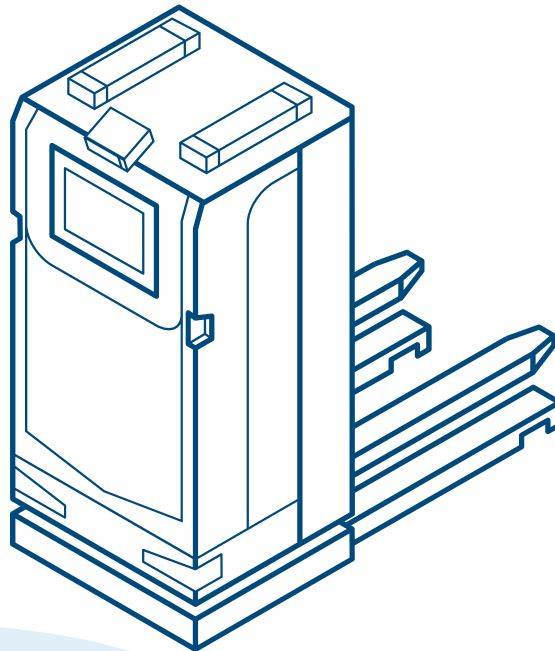
Watch A-MATE® in
action at Schaeffler



Watch A-MATE® in
action at Danfoss



Watch the
A-MATE® animation



A-MATE®

**MAKE THE NEXT
SMART MOVE
IN LOGISTICS**